

Reader CP-Z-3 E User Manual

1. GENERAL INFORMATION

Reader CP-Z-3 E is used in access control systems as a reader of EM-Marine and HID ProxCard® II (HID 1326) identifiers (proximity cards, key fobs) to transmit the read identifier code via the iButton (Dallas Touch Memory) or Wiegand-26 protocol. The reader allows simultaneous use of EM-Marine and HID identifiers in ACS systems.

2. INSTALLATION AND CONNECTION

The reader is mounted on a flat surface in a place that ensures its unimpeded contact with an identifier.

For mounting the CP-Z-3 E reader, please carry out the following:

1. Mark and drill mounting holes to fit the size of the reader holes (Fig. 2).
2. Connect the wires to the reader connector according to Table 1.
3. Insulate the wires' connection points.
4. Power up the reader - the red LED will light up.
5. Verify the working order of the reader by scanning an identifier.
6. Install the reader and secure it with self-tapping screws.

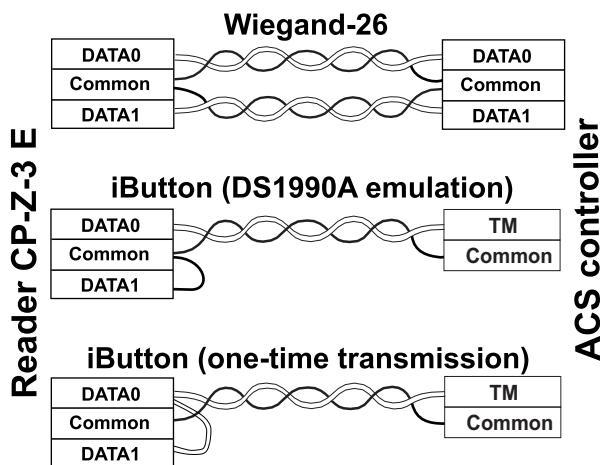


Fig. 1 Transmission protocol selection

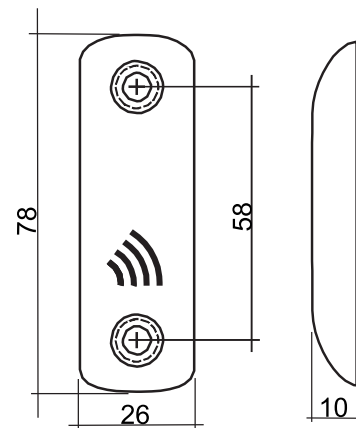


Fig. 2 Product dimensions

*Do not install readers closer than 10 cm from each other!

**To ensure the sufficient distance between the reader and the controller (given in the specifications), it is necessary to use a UTP twisted pair cable that complies with the CAT5e standard:

- When connected via iButton, one twisted pair wire is connected to the GND and the other is connected to DATA0;
- When connected via Wiegand-26, the first twisted pair is connected to GND and DATA0 and the second twisted pair is connected to GND and DATA1 (see Fig. 1).

3. READER OPERATION

The reader operation without the use of the indication's external control:

1. When power is applied and when there is no identifier in the reader field, the LED turns red.
2. When the identifier is close to the reader, its number is read. If this operation is successful, the LED briefly changes its colour to green and then goes out.
3. While the identifier is still in the reader field, the LED is turned off.

External control of the LEDs red and green colours is carried out by switching the corresponding control contact onto a common contact (GND).

The external indication can be operated together with the internal indication: by default, internal control is used for light indication; after the first transmission of an external control signal, the light indication switches to external control.

To return to internal control, the reader should be powered off and on again.

Table 1 Connecting to the controller

Wire colour	Wire purpose
Red	+12V
Black	Common (negative) GND
White	DATA0
Brown	DATA1
Green	External control for the green LED
Yellow	External control for the red LED

4. SPECIFICATIONS

Operating frequency, kHz:125
 Type of identifiers used: EM-Marin and HID ProxCard® II
 Card standard identification:.....automatic, without additional settings
 Reading range, cm 6-10
 Output protocol:iButton (Dallas Touch Memory), Wiegand-26
 Reader's distance from the controller for the following mode:
 iButton (Dallas Touch Memory), m up to 15
 Wiegand-26, m up to 100
 Card reading confirmation: two-colour LED
 Indication: internal and from external control
 DC supply voltage, V: 12
 Current consumption in the card standby mode, mA:.....not more than 35
 Case material: polycarbonate
 Dimensions, mm:..... 78x26x10

5. PACKAGE CONTENTS

Reader CP-Z-3 E 1 pc.
 Self-tapping screw 2 pcs.
 Dowel 2 pcs.
 Operation Manual 1 pc.

6. OPERATING CONDITIONS

Ambient temperature: -40°C to +50°C

Relative humidity: not more than 98% at 25°C

When operating conditions change, the technical specifications of the product may differ from the nominal values.

The reader is intended for operation in the absence of: Precipitation, direct sunlight, sand, dust and moisture condensation.

7. LIMITED WARRANTY

Device is covered by limited warranty for 24 months.

The warranty becomes void if:

- this Manual is not followed;
- device has physical damage;
- device has visible traces of aggressive chemicals exposure;
- device circuits have visible traces of tamper by unauthorized parties.

While covered, the Manufacturer will repair the device or replace any broken parts, free of charge, where fault is caused by manufacturer's defect.

Shelf life: 5 years.

8. CONTACTS

Authorized representative in the European Union:

ICONCONTROL SIA

1B Balta Street, LV - 1055, Riga, Latvia

E-mail: info@iconcontrol.lv

Phone: +371 24422922

www.iconcontrol.lv



The symbol of crossed-through waste bin on wheels means that the product must be disposed of at a separate collection point. This also applies to the product and all accessories marked with this symbol. Products labeled as such must not be disposed of with normal household waste, but should be taken to a collection point for recycling electrical and electronic equipment. Recycling helps to reduce the consumption of raw materials, thus protecting the environment.

