

# CR9-R MF User Manual

## 1. GENERAL INFORMATION

It is a slim Wiegand output proximity reader compatible with any Wiegand input controller. The reader is fully potted, and can function at extreme temperatures (-40°C...+ 60°C), which allows it is capable to be mounted either indoor or outdoor.

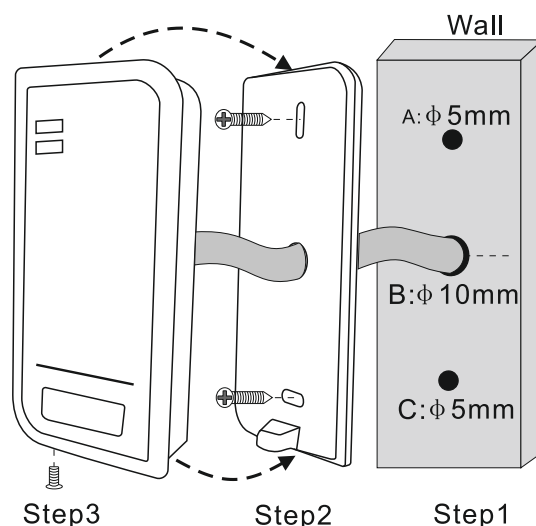
Mifare version: read 13.56MHz Mifare card.

## 2. SPECIFICATIONS

Version.....	Mifare
Frequency.....	13.56MHz
Card type.....	Mifare
Operation voltage.....	9-18V DC
Standby current.....	≤25mA
Read range.....	0-6 cm
Wiegand output.....	34bits (default) up to 58 bits on request
Operating temperature (°C).....	-40...+60
Operating humidity.....	10% to 95% RH
Color.....	black (white optional)
Index of protection.....	IP66
Dimensions.....	103x48x20 mm
Net wight.....	100g
Shipment weight.....	150g

## 3. INSTALLATION

- Drill 2 holes (a, C) on the wall for the screws and one hole for the cable;
- Knock the rubber bungs to the holes (A, C);
- Fix he back cover on the wall with 2 screws;
- Thread the cable though the cable hole (B);
- Attach the unit to the back cover.

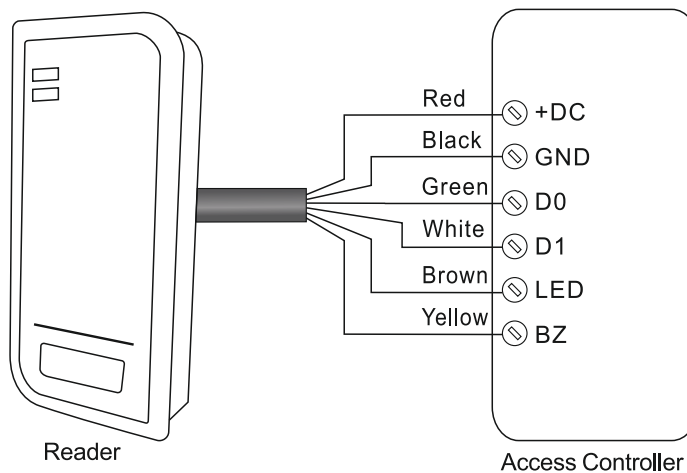


### Wiring

Color	Function	Notes
Red	Power	+DC (9-18 V DC)
Black	GND	Ground
Green	D0	Data 0
White	D1	Data 1
Brown	LED	Green LED Light Control
Yellow	Buzzer	Buzzer Control

Remarks: Brown and yellow wires are optional connections.

### Connection Diagram



### 4. FUNCTIONS TABLE SHEET

Read Card	The LED light will turn into Green, and the buzzer sounds a beep, at the meantime, the reader outputs the Wiegand signal
External LED Control	When the input voltage for LED is low, the LED will turn into Green
External Buzzer Control	When the input voltage for Buzzer is low, the Buzzer will sounds
Wiegand Data Output	Wiegand 26~44, 34 bits for Mifare version, up to 58 bits on request.

### 5. PACKING LIST

Reader: 1 pc  
Manual: 1 pc  
Screw driver: 1 pc  
Wall fixing plugs: 2 pcs  
Self tapping screws: 2 pcs

## 6. ICONTROL CONTACTS

ICONTROL SIA  
1B, Balta iela, LV-1055, Riga, Latvia  
E-mail: info@icontrol.lv  
Phone: +37166181894+37124422922  
www.icontrol.lv



The symbol of crossed-through waste bin on wheels means that the product must be disposed of at a separate collection point. This also applies to the product and all accessories marked with this symbol. Products labeled as such must not be disposed of with normal household waste, but should be taken to a collection point for recycling electrical and electronic equipment. Recycling helps to reduce the consumption of raw materials, thus protecting the environment.

