

CR9-RX

User Manual

1. GENERAL INFORMATION

It is a slim Wiegand output proximity reader compatible with any Wiegand input controller. The reader is fully potted, and can function at extreme temperatures (-40°C...+ 60°C), which allows it is capable to be mounted either indoor or outdoor.

EM version: read 125KHz EM card.

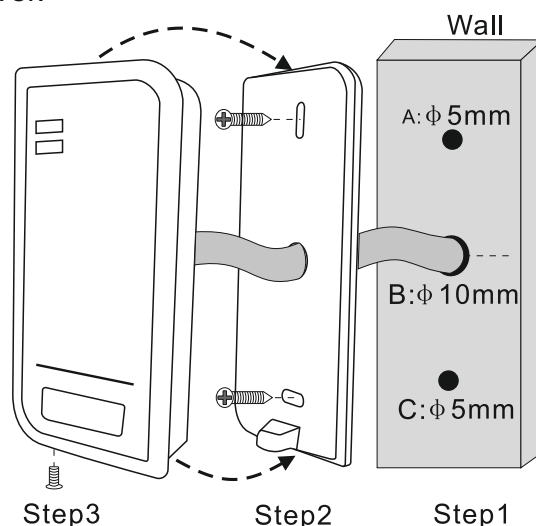
EM+HID version: read 125KHz EM + HID cards

2. SPECIFICATIONS

Version.....	EM; EM+HID
Frequency.....	125KHz
Card type.....	EM; EM+HID
Operation voltage.....	9-18V DC
Standby current.....	≤ 25mA
Read range.....	0-6 cm
Wiegand output.....	26bits up to 58 bits on request
Operating temperature (°C).....	-40...+60
Operating humidity.....	10% to 95% RH
Color.....	black (white optional)
Index of protection.....	IP66
Dimensions.....	103x48x20 mm
Net wight.....	100g
Shipment weight.....	150g

3. INSTALLATION

- Drill 2 holes (a, C) on the wall for the screws and one hole for the cable;
- Knock the rubber bungs to the holes (A, C);
- Fix he back cover on the wall with 2 screws;
- Thread the cable though the cable hole (B);
- Attach the unit to the back cover.

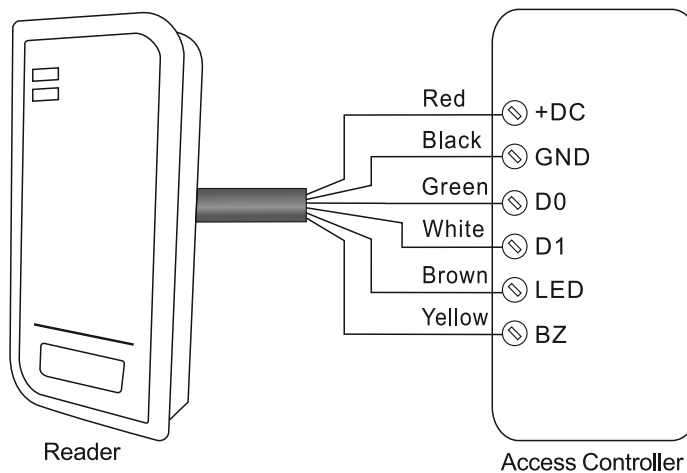


Wiring

Color	Function	Notes
Red	Power	+DC (9-18 V DC)
Black	GND	Ground
Green	D0	Data 0
White	D1	Data 1
Brown	LED	Green LED Light Control
Yellow	Buzzer	Buzzer Control

Remarks: Brown and yellow wires are optional connections.

Connection Diagram



4. FUNCTIONS TABLE SHEET

Read Card	The LED light will turn into Green, and the buzzer sounds a beep, at the meantime, the reader outputs the Wiegand signal
External LED Control	When the input voltage for LED is low, the LED will turn into Green
External Buzzer Control	When the input voltage for Buzzer is low, the Buzzer will sounds
Wiegand Data Output	Wiegand 26-44, 56, 58 bits available upon request, factory default setting is Wiegand 26bits.

5. PACKING LIST

Reader: 1 pc
 Manual: 1 pc
 Screw driver: 1 pc
 Wall fixing plugs: 2 pcs
 Self tapping screws: 2 pcs

6. ICONTROL CONTACTS

ICONTROL SIA
1B, Balta iela, LV-1055, Riga, Latvia
E-mail: info@icontrol.lv
Phone: +37166181894+37124422922
www.icontrol.lv



The symbol of crossed-through waste bin on wheels means that the product must be disposed of at a separate collection point. This also applies to the product and all accessories marked with this symbol. Products labeled as such must not be disposed of with normal household waste, but should be taken to a collection point for recycling electrical and electronic equipment. Recycling helps to reduce the consumption of raw materials, thus protecting the environment.

